

LLAVE DE TORRETA

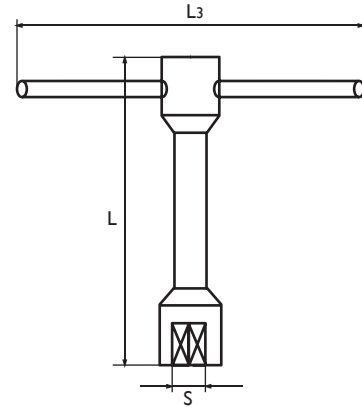
Key for DIN 480

Clé à béquille femelle



N° 4801

Material: Tratado / Heat treated steel



| Ref. | S (mm) | M | L (mm) | L3 (mm) |
|---------|--------|------|--------|---------|
| 4801-8 | 8 | M-8 | 105 | 110 |
| 4801-10 | 10 | M-10 | 105 | 110 |
| 4801-12 | 12 | M-12 | 105 | 110 |
| 4801-14 | 14 | M-14 | 126 | 130 |
| 4801-17 | 17 | M-16 | 126 | 130 |

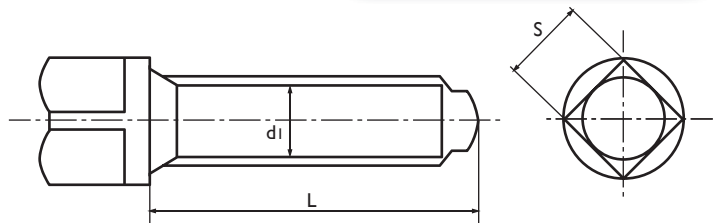
TORNILLO DE TORRETA

Bolt with square heat

Vis de tourelle

DIN 480

Calidad 8.8



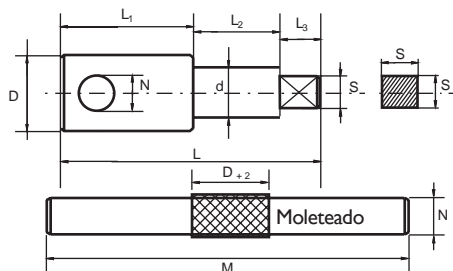
| d1 | L (mm) | s (mm) |
|------|--------|--------|
| M-6 | 20 | 6 |
| | 30 | |
| | 40 | |
| M-8 | 20 | 8 |
| | 30 | |
| | 40 | |
| M-10 | 50 | 10 |
| | 30 | |
| | 40 | |
| | 60 | |

| d1 | L (mm) | s (mm) |
|------|--------|--------|
| M-12 | 40 | 12 |
| | 50 | |
| | 60 | |
| M-14 | 50 | 14 |
| | 60 | |
| | 70 | |
| M-16 | 60 | 17 |
| | 70 | |
| | 80 | |
| M-20 | 80 | 22 |

LLAVES DE PLATO

Key for plate

Clé à plat



N° 4802



| Ref. | Plato de | S (mm) | D (mm) | L (mm) | L1 (mm) | L2 (mm) | L3 (mm) | d (mm) | N (mm) | M (mm) |
|---------|----------|--------|--------|--------|---------|---------|---------|--------|--------|--------|
| 4802-06 | 80 | 6 | 12 | 60 | 30 | 20 | 10 | 9 | 6 | 160 |
| 4802-08 | 100 | 8 | 16 | 80 | 40 | 27 | 13 | 15 | 8 | 180 |
| 4802-09 | 125 | 9 | 16 | 80 | 40 | 27 | 13 | 15 | 8 | 180 |
| 4802-10 | 160 | 10 | 20 | 100 | 50 | 34 | 16 | 16 | 10 | 200 |
| 4802-11 | 200 | 11 | 20 | 100 | 50 | 34 | 16 | 16 | 10 | 200 |
| 4802-12 | 250 | 12 | 24 | 100 | 50 | 32 | 18 | 19 | 12 | 250 |
| 4802-14 | 315/350 | 14 | 28 | 120 | 60 | 39 | 21 | 22 | 14 | 320 |
| 4802-17 | 400 | 17 | 34 | 160 | 80 | 54 | 26 | 28 | 16 | 160 |